

Post-combustion carbon capture technologies: energetic analysis and life cycle assessment

Xiangping Zhang^{a,b*}, Bhawna Singh^a, Xuezhong He^c, Truls Gundersen^a, Yajin Xu^b, Liyuan Deng^c, Suojiang Zhang^b

^a Department of Energy and Process Engineering, Norwegian University of Science and Technology, NO-7491, Trondheim, Norway

^b Beijing Key Laboratory of Ionic Liquids Clean Process, State Key Laboratory of Multiphase Complex System, Institute of Process Engineering, Chinese Academy of Sciences, Beijing, 100190, China

^c Department of Chemical Engineering, Norwegian University of Science and Technology, NO-7491, Trondheim, Norway

Abstract

An integrated framework focusing on the energetic analysis and environmental impacts of a CO₂ capture and storage (CCS) system is presented, in which the process simulation method and the life cycle assessment (LCA) method are integrated and applied to the CCS value chain. Three scenarios for carbon capture from post-combustion power plant - an MEA-based system, a gas separation membrane process and a hybrid membrane-cryogenic process are studied. The energy efficiency of power plant and the specific capture energy consumption for each scenario are estimated from process simulation. The environmental impacts for each scenario and the base case without CCS are assessed with LCA method. The results show that the MEA-based capture system faces the challenges of higher energy consumption, and higher environmental impact caused by solvent degradation and emissions compared to gas membrane separation processes. The hybrid membrane-cryogenic process shows a better environmental potential for CO₂ capture from flue gases due to much lower power consumption and relatively lower environmental impacts.

Keywords: Carbon capture, Gas separation membrane, Cryogenic process, Hybrid membrane-cryogenic process, process simulation, life cycle assessment

1. Background

CO₂ emissions from fossil based industries have contributed to the serious global warming problems. CO₂ capture and storage (CCS) has been regarded as one of the most promising options to utilize fossil fuels continuously without the significant influence to the climate change. Till now, a large number of studies have focused on the assessment of energy consumption, capture cost and environmental impacts in CCS, while most of them analysed MEA-based capture systems which have been proven in chemical production industries, for example, process analysis and techno-economic assessment (Abu-Zahra et al., 2007; Huang et al., 2010; Husebye et al., 2011; IEA, 2006; Sanpasertparnich et al., 2010; Schach et al., 2010; Sipocz and Tobiesen, 2012) and environmental impact assessment (Nie et al., 2013) (Koornneef et al., 2011; Koornneef et al., 2012; Korre et al., 2010; Pehnt and Henkel, 2009; Schreiber et al., 2009; Singh et al., 2011a; Singh et al., 2011b). Research on some emerging capture technologies such as membranes, ionic liquids and metal organic frameworks (MOFs) is in progress with the aim of reducing capture energy consumption and capital investment (Favre, 2011; Figueroa et al., 2008; MacDowell et al., 2010; Zhang et al., 2012b), and shows a promising application in CO₂ capture. However, these processes are still at the lab-scale or small pilot-scale demonstration stage. In this paper, an integrated framework is proposed and used to assess the capture energy consumption and environmental impacts of the different CCS chains with conventional and emerging capture technologies, considering three post-combustion CO₂ capture technologies: an MEA-based system, a gas separation membrane process, and a hybrid membrane-cryogenic process.

Gas separation membranes have generated growing interests in recent years, as unlike MEA-based system, CO₂ capture using membrane needs no or little chemicals, requires no retrofitting for the existing power plants, have relative ease of scale-up and operation, (Ritter and Ebner, 2007; Zhao et al., 2010), and is flexible for separating gases when high purity gas streams are not vital (Powell and Qiao, 2006) At present, most of the studies on gas separation membranes focus on the membrane material selection and functionalization, membrane preparation and characterization (Aaron and Tsouris, 2005; Powell and Qiao, 2006; Scholes et al., 2008), and membrane process analysis (Bounaceur et al., 2006; He et al., 2009; Hussain and Hagg, 2010; Merkel et al., 2010; Van Der Sluijs et al., 1992; Zhao et al., 2010; Zhao et al., 2008). For instance, the parametric studies and the systematic energy analysis of a single stage membrane process (Bounaceur et al., 2006; Zhao et al., 2008), the energetic and

economic analyses of multi-stage membrane processes (Zhao et al., 2010), the influences of membrane parameters and process configurations on the energy consumption and cost considering a real industrial process (Merkel et al., 2010), the process feasibility of post-combustion of the real flue gas by facilitated transport membrane based on process simulation and cost estimations (Hussain and Hagg, 2010) as well as the process feasibility analysis of hollow fiber carbon membranes for CO₂ capture from flue gases (He and Hagg, 2011, 2013). These contributions are important for understanding the feasibilities of CO₂ capture with membrane technologies; however, the assessment results are not directly comparable as different authors use different membranes and process parameters, membrane models, process configuration and assumptions. To the best of our knowledge, there are no studies focusing on the environment impacts of membrane technologies, thus no quantitative results can be referred to understand their environmental benefits and concerns.

In our previous work (Zhang et al., 2013), we conducted the analysis for parametric influence, capture cost and exergy efficiency of the post-combustion membrane based carbon capture process. As for environmental issues, it has been shown in literature that a CCS system with an MEA-based capture method though can achieve a significant reduction of CO₂ emissions but have multiple environmental trade-offs (Koornneef et al., 2011; Koornneef et al., 2012; Korre et al., 2010; Pehnt and Henkel, 2009; Schreiber et al., 2009; Singh et al., 2011a; Singh et al., 2011b). Although there are no MEA degradation and solvent losses in a membrane process, the preparation and replacement of membrane might cause additional environmental impacts. Thus, assessing systematically the energy consumption and environmental impacts of membrane capture technologies is important.

In this study, we evaluate the energy consumption and environmental impacts of three different post-combustion capture technologies, i.e., an MEA-based system, a gas separation membrane process, and a hybrid membrane-cryogenic process, using energetic analysis and life cycle assessment (LCA) method. At first, the capture process for each scenario is designed and simulated on the basis of engineering heuristics and judgment to determine the relevant operating parameters, and then the process simulation and optimization are performed to obtain the detailed energy and mass flows, as well as the parameters of all unit operations involved in the whole system. Based on the simulation results and process configuration of the CCS system, the LCA method is applied to evaluate the environmental impacts of the system considering the complete life cycle from resource mining to CO₂ injection.

2. Methodology

The concept of the integrated method and the system boundary of CCS involved in this study are shown in Fig. 1. The main motivation of this work is to investigate the performance of energy consumption and environmental impacts in a designed system framework with process simulation and life cycle assessment. The system boundary for LCA will cover the CCS value chain from resource extraction, pre-treatment, distribution and transport, infrastructure, electricity generation (advanced super critical boiler and turbine), CO₂ capture (three capture technologies: an MEA-based system, a two-stage membrane system and a hybrid membrane/cryogenic process), CO₂ transport (pipeline) and storage. The detailed descriptions are given as follows.

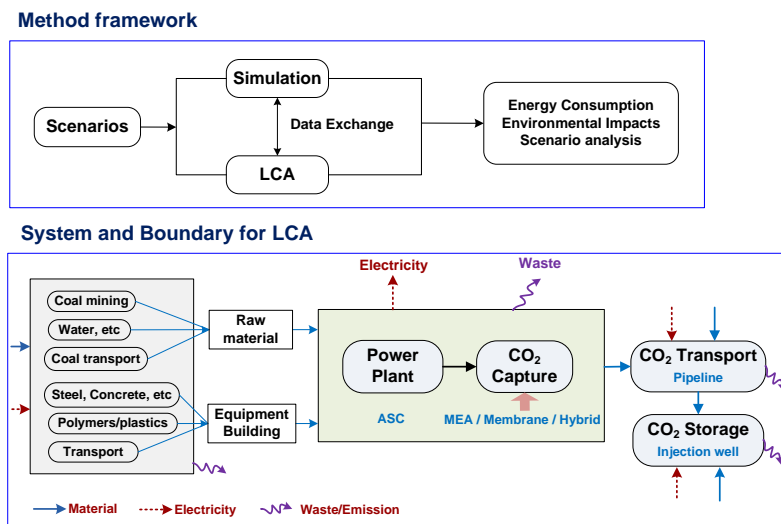


Fig. 1. Integrated method and system boundary of LCA

2.1 Process models

The power plant is based on an advanced super critical boiler and turbine delivering 819 MWe (gross) without carbon capture. When the auxiliary power is taken into account, the net power output is 754.3 MWe, yielding a net cycle efficiency of 45.5%. The models involved in the power plant and the flue gas composition as well as the parameters are from the literature (Anantharaman et al., 2011).

For the MEA-based capture process, the mechanism of CO₂ absorption in an amine solution using an absorption column is quite complex, and there are many references about

the chemical reactions and vapor-liquid equilibrium involved in this system (Aaron and Tsouris, 2005; MacDowell et al., 2010). It is a typical electrolyte thermodynamic system and the amines property package in Aspen Plus® is often used to model the absorption and desorption processes. For the unit operations, a RadFrac model is used in both the absorber and the stripper. The absorber is a simple RadFrac column, whereas the stripper column has a condenser on the top and a reboiler at the bottom. Considering the low efficiency of the gas absorber, it is modeled with a Murphree efficiency of 25~30% (Husebye et al., 2012). In the MEA-based CO₂ capture process, another major issue is the degradation of the solvents through the irreversible side reactions with other flue gas components as SO₂, NO_x and O₂, leading to solvent losses and degradation wastes (Ho et al., 2011; Koornneef et al., 2008; Portal, 2011). We assumed the MEA losses are mainly due to emissions to air with the sweet flue gas and oxidative degradation forming heat stable salts (Uyanga and Idem, 2007; Veltman et al., 2010).

For a gas separation membrane process, the membrane model used in this work is applicable to any high flux asymmetric membranes in a cross-flow pattern which can meet the assumptions described in the literature (Pan, 1983; Zhao et al., 2008). The equations and the detailed calculation procedure can be found in the literature (Pan, 1983). Here, the simulation is performed by PRO/II® software (Simulation Science, Inc.)(Zhao et al., 2010; Zhao et al., 2008). The Flowsheet Optimizer unit operation in the software is used to optimize the parameters such as feed gas pressure and membrane area based on the minimization of the power consumption to achieve as a specific separation requirement on CO₂ capture ratio and CO₂ purity(Zhang et al., 2013). The energy consumption for gas separation membrane process is mainly from the electric energy demands by gas compressors, vacuum pumps etc, which is different from an MEA-based capture process where the energy consumption is mainly from the heat energy demand in regeneration of the CO₂-rich solvent in the stripper. The cryogenic gas separation process is simulated with Aspen Plus® software. Soave-Redlich-Kwong (SRK) model is used to calculate the thermodynamic properties, and the multi-stream heat-cold exchanger model, the flash model and expander model are used to simulate the gas-liquid separator and adiabatic expansion unit.

2.2 Life cycle assessment

Regarding CCS, one of the pendent questions is whether CCS is good for the environment, or does the reduction in climate change-related damage outweigh the increase of the other

environmental impacts? In order to answer these questions, the LCA method can give an overview of the interventions caused by or required by the processes within the boundary of the studied system. The boundary is determined by the concept called Cradle to Grave i.e from raw material production to end-of-life disposal of product. In a CCS system, the boundary covers the whole CCS value chain, from coal mining to CO₂ storage with injection as illustrated in Fig. 1. The compressed CO₂ is assumed to be transported over 200 km via pipeline and injected into a secure offshore site at 800m depth for storage.

For the LCA, the detailed unit and process level information obtained from the process simulation data for the power plant and CO₂ capture system is used in combination with the Ecoinvent v2.2 database (EcoinventCentre, 2010) to model the value chain upstream and downstream processes. The characterization factors from ReCiPe method v1.03 (ReCiPe, 2010) are used to estimate the potential environmental impacts of the emissions incurred. The environmental impacts are categorized as 10 environmental mid-point indicators: GWP (global warming) - CO₂eq; FEP (freshwater eutrophication) - P eq; MEP (marine eutrophication) - N eq; TAP (terrestrial acidification) - SO₂eq; PMFP (particulate matter formation) - PM₁₀ eq; POFP (photochemical oxidant formation) - NMVOC; ODP (ozone depletion) - CFC-11 eq; HTP (human toxicity) - 1,4 DCB eq; FETP (freshwater ecotoxicity) - 1,4 DCB eq; TETP (terrestrial ecotoxicity) - 1,4 DCB eq.

To understand the contribution of specific value chain processes to the net GHG emissions, the CCS value chain defined in this work is divided into five sub-chains (SubCh-1 to SubCh-5). SubCh-1 refers to the infrastructures of power plant chain, capture plant, transport (pipeline) and CO₂ storage (well). SubCh-2 is the coal supply chain for the whole system. SubCh-3 is the capture specific infrastructure and supplies, for example, MEA solvent make-up input, packing in the tower, membrane material inputs and so on. SubCh-4 refers to the combustion chain, i.e., the coal burned in power plant and SubCh-5 is the CO₂ capture process.

3. Process description

3.1 Flue gas properties

The base case of the power plant is an advanced super critical boiler and turbine delivering 819 MWe (gross) without carbon capture. The feedstock coal is South African Douglas Premium 2 with the flow rate 65.8 kg/s. The composition of the flue gas from the coal power plant is shown in Table 1 (Anantharaman et al., 2011). Flue gas is pretreated to remove fly

ashes and acid gases of SO₂ and NO_x before feeding into the CO₂ capture system. For capturing 90% (capture ratio) of the total CO₂ in the flue gas, the capacity of CO₂ capture unit is estimated about 3.9 million ton per year.

Table 1. Flue gas composition from post-combustion coal power plant (Anantharaman et al., 2011)

Parameters	Unit	Raw flue gas
Flue gas flow rate	kg/s	781.8
Temperature	°C	50
Pressure	bar	1.016
Composition		
O ₂	Vol. % Wet	3.65
CO ₂	Vol. % Wet	13.73
SO ₂	mg/Nm ³	85
NO _x	mg/Nm ³	120
H ₂ O	Vol. % Wet	9.73
Ar	Vol. % Wet	0.005
N ₂	Vol. % Wet	72.86
Particulate	mg/Nm ³	8

3.2 Process design

Fig.2 shows the process flow diagrams of three different CCS scenarios. In the MEA-base capture process (Fig. 2(a)), the flue gas from power plant passes through an existing flue gas desulphurization (FGD) to remove SO₂ and selective catalytic reduction (SCR) unit to remove NO_x. In order to reduce the temperature, a water washing tower is added after a gas blower. The pretreated flue gas is then contacted with the MEA solvent in a counter-current pattern inside the packed absorber. The treated gas is then released from the top of the absorber along with some traces of MEA solvent which is recovered by a water washing tower. The CO₂-rich solvent is taken out from the bottom of the absorber and pumped (~2 bar) into a hot-cold exchanger to be preheated by the regenerated lean solvent from the stripper and delivered to the CO₂ stripper. CO₂ is released from the top of the stripper, and then the water in the captured CO₂ stream is condensed and recycled back to the stripper. The dry CO₂ is compressed and pumped to the pipeline for the transportation. The water balance is important in capture and regeneration process, thus part of the water from the CO₂ condenser is recycled back to the capture system.

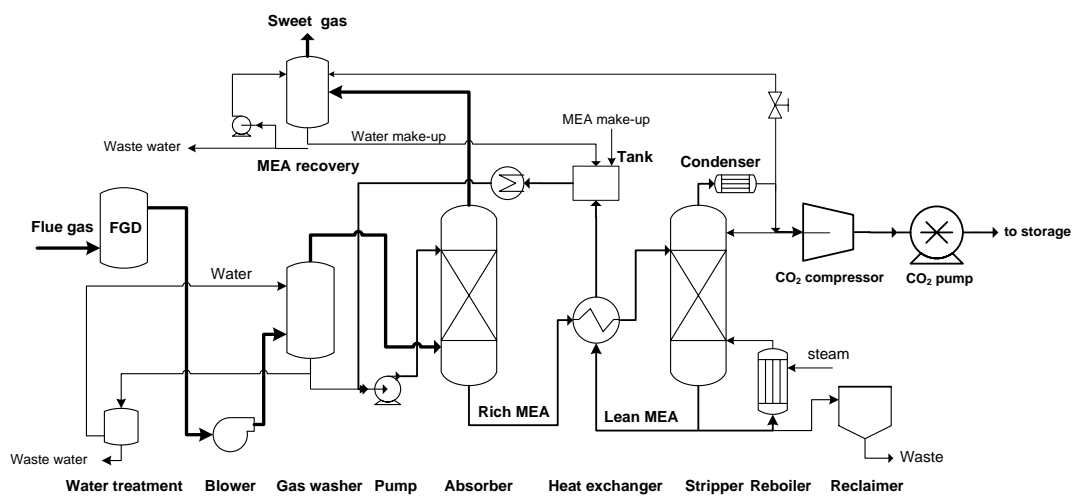
Fig.2(b) presents a two-stage gas separation membrane process for post-combustion carbon capture. In this study we consider a composite polyvinylamine (PVAm)/Poly(phenylene

oxide)(PPO) hollow fiber membrane as it has very high permeance and selectivity, which approach to industrialization (Sandru et al., 2010). Considering the low CO₂ concentration in the flue gas and the limitation of the membrane materials reported, since using one stage membrane process cannot reach the assigned capture ratio (90%) and CO₂ purity (95mol%), therefore a two-stage membrane system is preferred. The flue gas pre-treatment is the same as the MEA-based process in Fig. 2(a). The pretreated flue gas is compressed and fed into the 1st stage membrane unit at a higher pressure compared to the permeate side. A proportion of CO₂ can easily pass through the membranes, while the other gases (such as O₂, N₂) will be mostly retained due to their lower permeabilities. In order to improve the driving force of the gas transportation, vacuum pump is used in the permeate side. The retentate stream is subsequently sent into the expander to recover the power, which can reduce the net power consumption. A similar process is designed in the 2nd stage membrane unit. The process operating parameters such as pressure ratio, membrane area, and the capture load distribution between two stages are optimized based on the specific capture requirements.

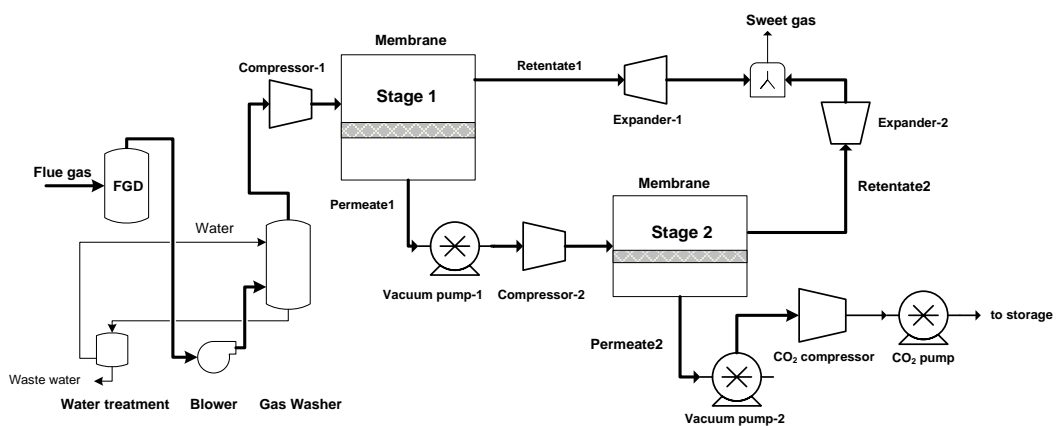
Separating CO₂ from the mixed gas with low temperature liquefaction method, especially for high CO₂ concentration gases, is quite attractive. It has been proved that the cryogenic separation technology has advantages to separate CO₂ from higher CO₂ concentration gas mixture, such as an oxy-combustion power plant system (Pipitone and Bolland, 2009), but is not considered economically competitive due to its extremely high power consumption while treating low CO₂ concentration flue gases (~1.7 MJ/kg CO₂ for 30% fed gas, only with 35% capture ratio) (Berstad et al., 2012). Similar to the MEA-based systems, the specific capture power consumption decreases rapidly with the increase of CO₂ concentration of the feed gas. The gas from the 1st stage membrane can reach a relatively high CO₂ concentration, indicating that the combination of membrane system with cryogenic separation process may significantly reduce the capture energy consumption with great feasibility. Belaisaoui et al. also proved the advantage of low energy consumption for the hybrid membrane-cryogenic carbon capture process by process modeling and simulation (Belaisaoui et al., 2012).

Fig. 2(c) presents a hybrid membrane-cryogenic capture process. The membrane part is similar to the 1st stage in membrane process (Fig. 2 (b)). The cryogenic part is based on Joule-Thompson effect, to produce power by the adiabatic expansion of a high pressure stream. After sensitivity analysis of key parameters and also based on the industrial data and engineering heuristics, the suitable parameters are determined. Generally, the CO₂-rich gas from the membrane unit is compressed about 33bar in Compressor-2, and fed into a heat

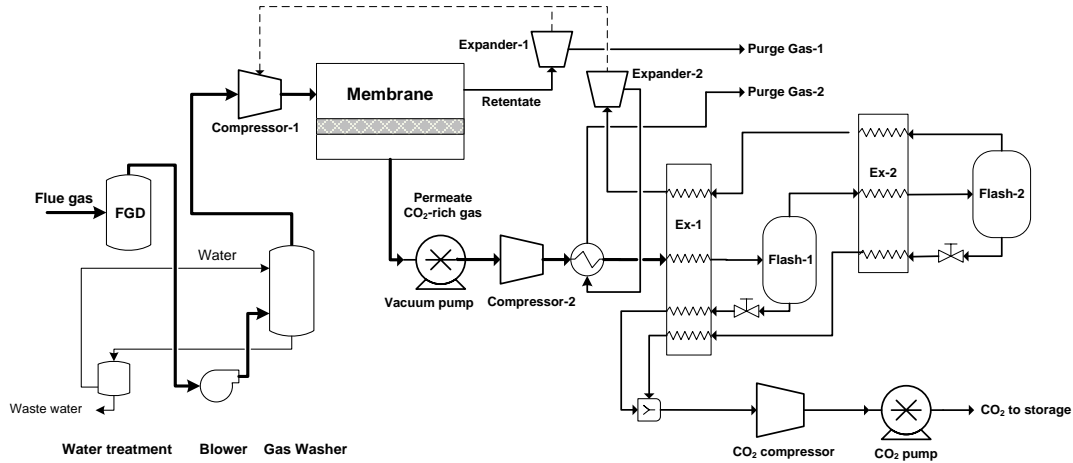
exchanger (Ex-1) to achieve a cryogenic temperature being cooled down by the expander outlet gas, separating the liquid CO₂ in Flash-1 based on the vapor-liquid separation principle. In order to get the target purity of captured CO₂ to 95%, it is designed to go through two flash drums (Flash-1 and Flahs-2). The high purity CO₂ is compressed to liquid state and pumped to 110 bar for transport. The decarbonized gas is pre-heated to about 80°C by the heat produced in the inter-cooling of gas compressors before being fed into Expander-2. The cold stream from Expander-1 can also be used to pre-cool the gas from Compressor-1. The advantage of designed process is that it requires no external compression refrigeration cycles or refrigerants, such as propane, which makes the process more simple and low cost.



(a) Typical process of CO₂ capture with MEA-based solvent



(b) Two-stage gas separation membrane capture process



(c) Hybrid membrane-cryogenic capture process

Fig.2. Flow sheet diagrams of three capture processes

Regarding the energy consumption for carbon capture, two parts of energy consumption are involved in an MEA process, one is the steam extraction from the power plant IP/LP steam turbine which is used for stripping CO_2 from the rich solvent, i.e., thermal energy; the other part is the electric energy consumption for gas blower, solvent pump, CO_2 compression, as well as the other driving machines. Unlike the MEA process, in the gas separation membrane process and hybrid membrane-cryogenic process, mainly electric energy is needed to drive the compressors and vacuum pumps. For ease of comparison, the energy consumption in a MEA-based technology is also converted to be an equivalent electric energy consumption based on the electricity penalty caused by CO_2 capture and compression in a power plant system. In this work, we use ‘MJe’ represents the energy in electric form, while ‘MJth’ represents energy in thermal form.

3.3 Key parameters and assumptions

The main parameters for modeling these three scenarios are listed in Table 2. The final capture ratio and CO_2 purity in each scenario are assigned to be 90% and 95% (mol), respectively. The parameters are mainly from literature, industrial data and engineering heuristics (Anantharaman et al., 2010; Favre, 2011; Husebye et al., 2012; Hussain and Hagg, 2010; Merkel et al., 2010; Stern, 1968; Zhang et al., 2012a), and also based on the sensitivity analysis in this work.

LCA for MEA-based systems have been adequately studied (Koornneef et al., 2011; Koornneef et al., 2012; Korre et al., 2010; Pehnt and Henkel, 2009; Schreiber et al., 2009; Singh et al., 2011a; Singh et al., 2011b, 2012), which possesses relatively abundant and reliable data for LCA analysis, while gas separation membranes for CO₂ capture have relatively sparse data for LCA analysis in the published literature. In this work, the membrane is modeled based on the experimental data from literature (Sandru et al., 2010), and is assumed to be prepared by coating a PVAm selective layer on the outer surface of PPO hollow fibers. The thickness of PVAm selective layer is estimated to be 1.1 μm, and the diameters of porous support of (PPO) hollow fibers are estimated as 0.5/0.34 (outer/inner) mm. The wall thickness of the support is 0.08 mm. PVAm is produced with base hydrolysis of Poly (N-vinylformamide) (PNVF) process and PNVF is produced by the reaction of acetaldehyde and formamide (Gu et al., 2001; Witek et al., 2007). Thus, the chemicals used for membrane preparation can be estimated based on the total membrane area obtained from the process simulation. Loss of active compounds such as PVAm is also ignored to simplify the investigation. Data for power plant and capture infrastructure are based on Ecoinvent v2.2. dataset (EcoinventCentre, 2010) and Kleijn et al.'s work (Kleijn et al., 2011).

Table 2. Summary of the parameters

Unit / Process	Parameters
MEA-based system	Lean MEA solvent: MEA 28.3% (wt), 40°C, 1.113 bar Lean and rich MEA loading: 0.27 and 0.46 molCO ₂ / mol MEA Murphree efficiency of absorber: 30% Absorber: stage number: 10 Stripper: stage number: 15 CO ₂ condenser: 40°C, 1.8 bar
Membrane process	Composite PVAm/PPO hollow fiber membranes CO ₂ permeance: 1 Nm ³ /m ² ·bar·hr N ₂ permeance: 0.005 Nm ³ /m ² ·bar·hr O ₂ permeance: 0.02 Nm ³ /m ² ·bar·hr; H ₂ O permeance: 2.25e-9 Nm ³ /m ² ·bar·hr CO ₂ /N ₂ selectivity: 200 Vacuum pressure: 0.2 bar Pressure of second membrane: 2 bar
Hybrid process	<i>Membrane section:</i> Membrane parameters are same as above Capture ratio: 95% CO ₂ purity: 70% (mol) Vacuum pressure: 0.2 bar <i>Cryogenic section:</i>

	Pressure of fed gas compressor: 30~35 bar
	Pressure of throttle expansion valve: 3~4 bar
	Capture ratio: 90%
	CO ₂ purity: 95% (mol)
	Two-stage flash and throttle expansion
CO ₂ compression	Compressor: ~80 bar, pump: 110 bar
Isentropic efficiency	Compression: 80 %
	Gas blower: 80%
	Vacuum: 80%
	Pump: 80 %
	Expander: 80%
Life cycle assessment	10 impact categories:
	GWP, FEP, MEP, TAP, PMFP, POFP, ODP, HTP, TETP, FETP
Capture specifications	CO ₂ Capture ratio: 90%; CO ₂ purity: 95%
	CO ₂ Captured: ~3.9 Million ton/y
Others	Cooling water: 15°C, 1.113 bar
	Steam: 130°C, 2.7bar
	Membrane life time: 5 years
	Lifetime of packing in the packing towers: 10 years
	Plant life time of power plant and absorption process: 40 years
	Operational time: 7500 hr/y

4. Results and discussion

4.1 Process simulation and analysis

4.1.1 MEA-based capture process

The simulation results of the capture process with MEA-based system are shown in Table 3. The energy consumption are mainly consists of five parts, i.e., sensible heat, reaction heat, stripping or vaporization heat, electric energy consumption for gas blower and solvent pumps. Among them, the heat demands to release CO₂ from the rich-solvent in the stripper accounts for the major energy consumption. Thus, the most notable feature for this process is that it consumes mainly the thermal energy instead of electric energy, and the steam is extracted from the steam turbines in the power plant which additionally requires retrofitting the existed power plant, and thus may also influence the operation of the steam turbine. The net electricity production with CCS is 559 MW, while the net electricity output without CCS is 754 MW (Anantharaman et al., 2010), hence, the electricity efficiency of the power plant reduces about 12% and the specific equivalent electric energy consumption in this scenario is estimated to be 1.35 MJ/kg CO₂. Comparing to the previous work (Anantharaman et al.,

2010), the relatively lower energy consumption in this work is owing to the lower specific separation requirement of a capture ratio 90% and a CO₂ purity of 95% (mol).

Table 3. Thermal and electric energy consumption for the studied MEA-based CO₂ capture system

Thermal (MJth/s)	
Reboiler heat duty	484.6
Stripper condenser cooling	188.5
Lean liquid cooling	234.0
Compressor cooling	78.3
Electric energy consumption (MJe/s)	
Gas blower	8.2
Pumps	10.0
CO ₂ compression	45.8
Total	64.0

Based on the simulation results, the circulation of MEA solvent with 30% MEA aqueous is about 13 kton/hr and the total loading amount of MEA is about 5.8 kton. MEA loss is estimated as 1.5 kg MEA/ton CO₂ captured (Uyanga and Idem, 2007; Veltman et al., 2010), including the losses from MEA emission to air with the sweet flue gas, in waste water, oxidative degradation and heat stable salt formation. Cooling water is also needed to cool the flue gas, the compressed gases and the stripped CO₂. In this system, about 71 ton/hr waste water containing MEA and other chemicals is produced and causes the water pollution. Besides materials consumed in the capture process, the infrastructure for building the capture process is also important for LCA. Moreover, the packing used for the absorber and stripper are the Sulzer Mellapak 250X, and the total weight of packing is about 1525 ton with the life time of 10 years.

4.1.2 Gas separation membrane capture process

As describe in section 3.2, different from the amine absorption processes, the driving force of a gas separation membrane process is the partial pressure difference of the gas component across the membrane, and the energy consumptions which is mainly caused by the gas compressors and vacuum pumps. For a two-stage membrane process, the capture load distribution between the 1st and 2nd stage should be optimized. Some literature has reported different CO₂ concentration in the 1st stage permeate stream, example are: 50% (Merkel et al., 2010), 42~55% (Hussain and Hagg, 2010) and 61% (Zhao et al., 2010). Fig. 3 presents the energy consumption and membrane area in a two-stage membrane process and shows that

capture load distribution can significantly influence the specific energy consumption and the required membrane area. In Fig 3(a), the total energy consumption excludes the energy consumption used for CO₂ compression from 1 bar to 110 bar, while in Fig 3(b) such compression energy consumption includes. For a constant capture ratio of 90%, a higher CO₂ flow rate is needed at a lower CO₂ purity, resulting in a larger required membrane area. With the increase of the pressure ratio in the 1st stage, the CO₂ concentration in the 1st stage permeate increases and the 1st stage energy consumption increases as well, while correspondingly the energy consumption in the 2nd stage decreases. Thus, the synergistic effect is that the total energy consumption decreases at first and then increases as shown in Fig.3(a). Due to the typical inverse relationship between the energy consumption and the required membrane area, the total membrane area decreases continuously with the increase of 1st stage permeate CO₂ concentration, and stabilizes at higher CO₂ concentration (e.g., 65%) (Fig. 3(b)). After trading off between the specific energy consumption and the total required membrane area as shown in Fig. 3(b) and considering the possible effect of pressure ratio across the membrane (higher pressure ratio might destroy the thin membrane), 65% is chosen as the optimal CO₂ concentration out from the 1st stage, and the total required membrane area is calculated to be 17.27 million m².

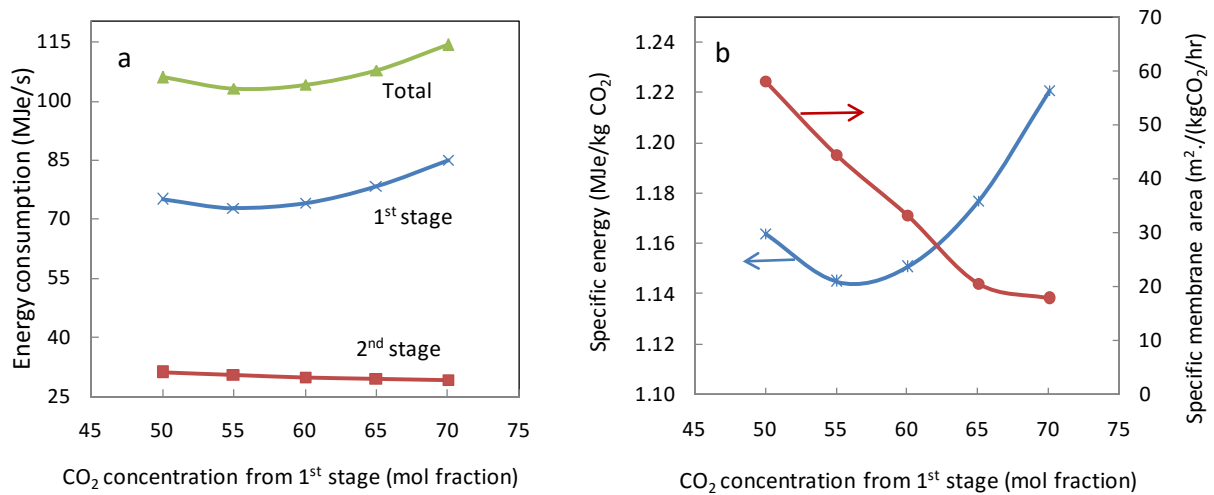


Fig. 3. Energy consumption and membrane area in a two-stage process

Table 4 shows the simulation results of a two-stage gas separation membrane process based on the simulation basis of Table 2. In this scenario, the total energy consumption is 166.4 MJe/s and the specific equivalent energy consumption is about 1.151 MJe/kg CO₂ which is over lower than that of a MEA-based system and one of the most important reasons

is we selected to use the membranes with almost highest CO₂ selectivity reported by present (Luis et al., 2012). The energy consumption for membrane is the requirement of high pressure ratio across the membrane, and the repeated recompression and suction of a large volume gas to achieve the separation requirement. It is noted that improvement in CO₂/N₂ selectivity would reduce the pressure ratio and hence the energy consumption but will need more membrane area. Thus, the trade-off between the energy consumption and the required membrane area is the main challenge for membrane process, not only in process design, but also for the membrane material development. Further, the energy consumption for CO₂ separation is 166.4 MJe/s, while only 62.5 MJe/s is needed for CO₂ compression and transport (compressing CO₂ to 110 bar). Thus, more than 62% of the total power consumption is in the CO₂ separation process.

Based on the method described in section 2.2, the total amount of PVAm demand for the coating on the PPO hollow fibers for two membrane units (two-stage process) is about 20.5 ton. With the membrane life time of 5 years and the requirement of single-time regeneration assuming 50% loss in membrane performance during the whole membrane's lifetime, the total amount of PVAm required over 40 years (expected lifetime of power plant) is 246.2 ton. In addition to the PVAm, the demand of PPO hollow fiber support is about 1230 ton for two membrane units (9843 ton over the 40 year lifetime).

Table 4. Simulation results of the two-stage membrane process for CO₂ capture

Parameters	Unit	Value
Membrane area		
Stage 1	million m ²	15.3
Stage 2	million m ²	2.0
Membrane area demand	million m ²	17.27
PVAm demand	ton	20.5
1st stage membrane		
Gas compressor-1	MJe/s	72.61
Vacuum pump-1	MJe/s	33.94
Expander-1	MJe/s	-32.54
Net energy consumption	MJe/s	74.01
2nd stage membrane		
Gas compressor-2	MJe/s	12.46
Vacuum pump-2	MJe/s	20.57
Expander-2	MJe/s	-3.1
Net energy consumption	MJe/s	29.93
CO₂ compression		

Net energy consumption	MJe/s	62.5
Total energy consumption	MJe/s	166.4
Specific energy consumption	MJe/kg CO ₂	1.151

4.1.3 Hybrid membrane-cryogenic process

As described above, a hybrid membrane-cryogenic process has the potential to further reduce the capture energy consumption. Table 5 shows the simulation results of the hybrid process. Here, we take the CO₂ concentration from the membrane section as 70% after trading off the energy consumption in membrane section and cryogenic section. The specific energy consumption is lower slightly than that of the all-membrane process. The proportions of energy consumption in membrane, cryogenic and CO₂ compression sections are 52%, 29% and 19%, respectively. The low energy consumption proportion for CO₂ compression is due to the higher pressure of CO₂ product from cryogenic separation section (~4 bar), compared to ~1.8 bar in the MEA-based system, and 1.0 bar in the all-membrane process. This also confirms another possible advantage of energy saving with cryogenic method. Moreover, the required membrane area in the hybrid process is reduced to 1/3 of the membrane area in the two-stage membrane process as a higher gas pressure ratio and one stage membrane process is used. Thus, the total amount of PVAm coating on the PPO hollow fiber for the hybrid process is 6.7 ton, and the demand of PPO hollow fiber as support is about 403 ton, for a single cycle of membrane throughput without regeneration. Clearly, it can be concluded that the hybrid membrane-cryogenic process has relatively higher energy saving and low membrane area requirements.

Table 5. Simulation results of the hybrid membrane-cryogenic process for CO₂ capture

Parameters	Unit	Value
Membrane section		
Gas compressor-1	MJe/s	99.06
Vacuum pump	MJe/s	28.51
Expander-1	MJe/s	-42.71
Net energy consumption	MJe/s	84.86
Membrane area demand	million m ²	5.66
PVAm demand	Ton	6.7
Cryogenic section		
Gas compressor-2	MJe/s	56.45
Expander-2	MJe/s	-10.40
Net energy consumption	MJe/s	46.05
CO₂ compression		
Net energy consumption	MJe/s	30.57

Total energy consumption	MJe/s	161.5
Specific energy consumption	MJe/kg CO ₂	1.11

4.2 Comparison and analysis

Table 6 gives an overall comparison of different cases with or without CO₂ capture and compression. Comparing the net electrical efficiencies, the hybrid system shows the highest advantage, than the all-membrane process and MEA-based system. Such results partly attributed to the very high CO₂/N₂ selectivity of the membrane used in this work.

Table 6. Summary of three scenarios and comparison

Parameters	Unit	Withoutcapture	With CO ₂ capture and storage		
			MEA	Membrane	Hybrid
Gross electricity output	MWe	819.0	690.0	819.0	819.0
Auxiliary electricity consumption	MWe	65.0	131.0	231.5	226.5
Net electricity output	MWe	754.0	559.0	587.6	592.5
Efficiency	% LHV	45.5	33.7	35.5	35.8
CO ₂ emitted	Kg/MWh	767.6	103.5	98.5	97.7
SEPC*	MJe/Kg CO ₂	N/A	1.348	1.151	1.110
Waste water in capture	ton/hr	N/A	71.0	52.2	52.2

*: Specific equivalent power consumption (SEPC)

Fig. 4 illustrates the profiles of the equivalent electric energy consumption for CO₂ capture and compression of the three scenarios. In the MEA-based scenario, blowers and pumps accounts for a very small proportion of the total power consumption. The equivalent electric energy consumption for CO₂ separation with MEA-based process is the lowest, while the hybrid process is highest (membrane section + cryogenic section). However, due to a higher pressure of CO₂ product of 4 bar in the hybrid process compared to 1.02 bar in all-membrane process, the power for CO₂ compression/pump in all-membrane process is much higher than the hybrid membrane-cryogenic process, leading to the slightly reduced total energy consumption in the hybrid process. The relatively lower energy consumption for CO₂ compression in the MEA-based process is owing to the moderate pressure of 1.8 bar for CO₂ coming out from stripping tower. Based on the analysis, it can be concluded that the hybrid membrane-cryogenic process shows a promising application for CO₂ capture from flue gases in post-combustion power plants due to the relatively lower energy consumption.

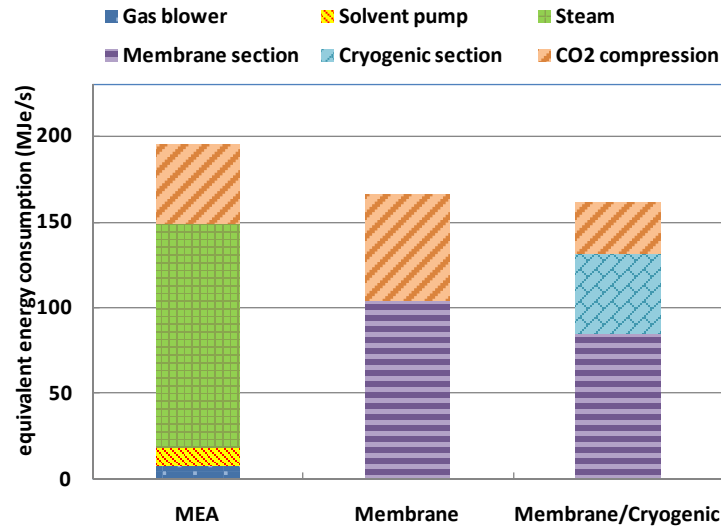
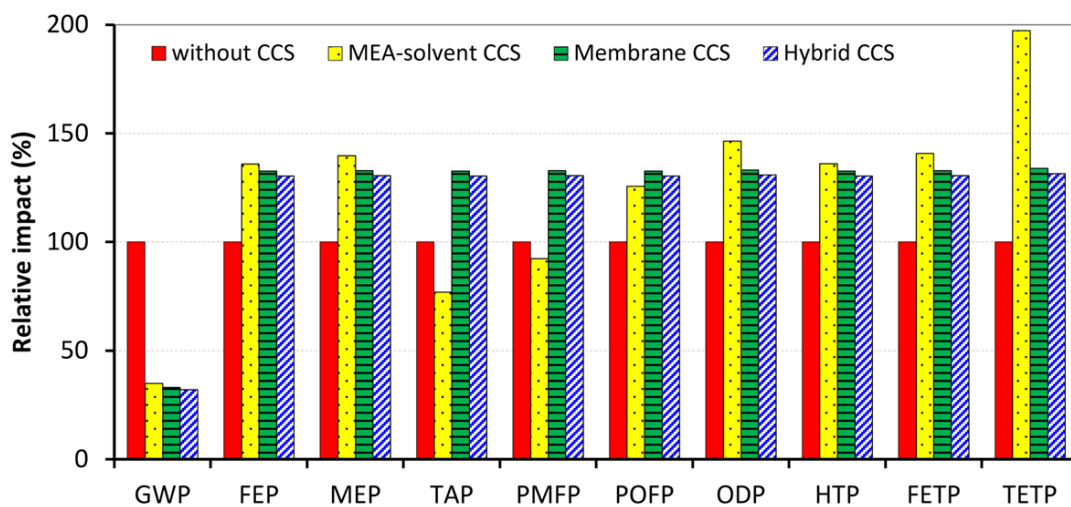


Fig. 4. Energy consumption profiles in three capture scenarios

4.3 Life cycle analysis

Fig. 5 shows the environmental impacts of the electricity generation with different capture systems relative to without CCS based on the system defined in Fig. 1. All the environmental impacts of the system without CCS are assumed as 100%. Fig. 5 confirms the significant reductions in GWP impact, but also shows the increase in environmental impacts in almost all other impact categories compared to the base case without CCS.



GWP (global warming): CO₂eq

FEP (freshwater eutrophication): P eq

MEP (marine eutrophication): N eq

TAP (terrestrial acidification): SO₂eq

PMFP (particulate matter formation): PM₁₀ eq

POFP (photochemical oxidant formation): NMVOC

ODP (ozone depletion): CFC-11 eq	HTP (human toxicity): 1,4 DCB eq
FETP (freshwater ecotoxicity): 1,4 DCB eq	TETP (terrestrial ecotoxicity): 1,4 DCB eq

Fig. 5. Environmental impacts for the electricity generation using different capture systems relative to without CCS case

4.3.1 Global warming potential

For Global Warming Potential (GWP) impact, the 90% capture ratio results in a net reduction of 65%, 67% and 68% GWP for the MEA-based system, membrane system and hybrid membrane-cryogenic system respectively. This means, besides the rest of CO₂ in the decarbonized flue gas, greenhouse gas (GHG) emission caused in the infrastructure development of power plant, the coal mining and supplies, capture specific infrastructure and supplies etc. still accounts for a significant share of the total GHG produced. Hence, even as the absolute CO₂ capture ratio is fixed as 90%, the relative GWP impacts of the whole life cycle are still as high as 35% for the MEA-based system and the membrane system, and 32% for hybrid system with respect to the base case without CCS. The relative lower GWP impact of the hybrid system is mainly owing to the less additional power consumption as shown in Fig. 4.

In order to well understand the GHG emission contributions to the whole chain, five sub-chains (SubCh) are analyzed as discussed in section 2.2 and the results from different sub-chains are presented in Table 7. The total GHG produced refers to the summation from SubCh-1 to SubCh-4, while the net GWP impact (net emission) is the summation of the GHG produced and SubCh-5. The results show that the primary infrastructure (SubCh-1) of power plant, capture unit, transport (pipeline) and CO₂ storage (well) account for relatively small contribution on GWP impact, about 0.09 to 0.13% of the total GHG produced in the whole chain. Further, the MEA-based CO₂ capture system has lower energy efficiency compared to both the hybrid and membrane based systems, therefore the MEA-based system needs more coal supplies (SubCh-2) and coal combustion (SubCh-4) per unit output. The GWP contribution from capture specific supplies chain (SubCh-3) is about 0.5 % of total GHG produced in MEA-base system, however, for membrane process and hybrid process, this contribution is much smaller (< 0.02%) due to the lower demands of chemical supplies compared to the MEA-based process. Owing to these relatively higher GHG emissions in the indirect sub-chains of coal and supplies (SubCh-2), capture specific infrastructure and supplies (SubCh-3) and direct emission sub-chain of coal combustion (SubCh-4), the MEA-based CCS system has higher net GHG emissions compared to hybrid and membrane based

CCS systems. The GWP from the coal supply chain (SubCh-2) is about 15% of the total GHG produced for all cases. The absolute value of GHG produced with each CCS scenario is 30% to 35% higher than the base scenario without CCS as more energy (i.e., combustion of more coal) is needed for CCS. Considering the contribution of GHG produced to the GWP in each sub-chain, the highest GWP is located in the power plant (SubCh-4), as expected, where it accounts for about 85% of the total GHG produced.

Table 7. Absolute impacts scores in g CO₂ eq for 1kWh of electricity generation from different scenarios

	SubCh-1	SubCh-2	SubCh-3	SubCh-4	SubCh-5	GHG produced	Net emission
W/O CCS	0.8	141.2	0.0	778.2	0.0	920.2	920.2
MEA	1.5	190.6	5.9	1050.7	-926.7	1248.8	322.1
Membrane	1.5	187.3	0.1	1032.3	-916.3	1221.3	305.0
Hybrid	1.5	184.1	0.1	1014.5	-905.0	1200.2	295.2

4.3.2 Other environmental impacts

The relative impacts of three toxicity categories - HTP, FETP and TETP varies from 130 to 197% with respect to the case without CCS. The main contributions to toxicity is generally associated with coal mining, direct emission from coal combustion, the infrastructure requirements and heavy metal emission associated with the material production (as well as the emission and degradation of MEA in the capture process for TETP). The relative impacts of TETP (terrestrial ecotoxicity) are 197%, 134% and 132% for MEA-based, membrane and hybrid CCS scenarios, respectively. The high TETP impact of MEA-based CCS is mainly caused by the MEA emission and degradation which contributes > 28% to TETP. For the membrane and hybrid processes, the contributions of the coal mining and supply, and coal combustion to TETP are about 32% and 66%, respectively. The infrastructure requirement contributes only 1% to 2% to TETP, which is much lower than the coal supply chain and coal combustion. The analysis finds that coal supply chain in different scenarios makes major contributions to FETP (freshwater ecotoxicity) and human toxicity of over 85%, and is mainly caused by the landfill disposal of spoils from the coal mining. Thus, cleaner technologies should be developed in a coal supply chain to prevent the toxicity impacts on human and water organisms, as well as adverse effects on the local ecology.

Ozone depletion (ODP) indicates the potential of chemicals, containing chlorine and/or bromine to destroy the stratospheric ozone. Results in Fig. 5 show the increases of 131

to 147% in ODP for three CCS scenarios, and are mainly associated with the coal supply chain (70 to 80%) of the total impact.

The MEA-based solvent shows an overall reduction of 23% in TAP (terrestrial acidification) and 8% in PMFP (particulate matter formation) due to co-capture of SO₂, NO_x and particulate matter with solvent absorption method. All the three CCS systems show significant increase in FEP (freshwater eutrophication) and MEP (marine eutrophication), i.e., an increase of about 30% to 35% in FEP and 30% to 40% in MEP. FEP is caused by the emissions of phosphorus and phosphate to water and is again associated with the disposal of coal mining spoils. MEP (Marine eutrophication) is mainly caused by the emissions of the nitrogenous compounds (NO_x, NH₃, organic bound nitrogen, etc.). The coal supply chain is the main contributor to MEP for the cases with or without CCS. The second major contribution is the direct emissions from the power plant (coal combustion) accounting for about 45% of the total MEP impact.

Except global warming potential, most of the environmental impacts increase with CCS compared to the base without CCS, irrespective of the capture technology used. It is found that the coal supply chain and coal combustion at power plant contribute significantly to the most of the impacts, and the additional coal consumption for CCS inevitable increases the impact. Thus, decrease in the energy consumption of the CO₂ capture process will provide eventual solution to reduce the environmental stresses from CCS. Certainly, using much lower volatile and more stable solvent or non-solvent capture technology can reduce the pollution caused by the emission of the chemicals and waste by-products produced in the capture process.

5. Conclusion

Assessing an emerging CCS technology inherently faces many challenges and uncertainties because of the lack of industrial data and thorough understanding of the process. This study demonstrates the importance of technological assessment based on the energy consumption and environmental impacts of CCS with life cycle perspective.

The results show that the MEA-based capture system has the challenges of solvent degradation and emissions, the need of retrofitting the existing power plants, as well as the higher energy consumption; by using higher performance membrane, the gas separation membrane technology has the significant advantages of lower energy consumption, reduced

terrestrial ecotoxicity as compared to the MEA-based system. The hybrid membrane-cryogenic process demands minimum energy consumption among three scenarios, and moreover, produces less environmental impacts than the MEA-based system, which means good feasibilities for industrialization in the near future.

Acknowledgements

This publication has been produced with support from the BIGCCS Centre, performed under the Norwegian research program *Centers for Environment-friendly Energy Research (FME)*. The authors acknowledge the following partners for their contributions: Aker Solutions, ConocoPhillips, Det Norske Veritas, Gassco, Hydro, Shell, Statoil, TOTAL, GDF SUEZ and the Research Council of Norway (193816/S60).

This work was also supported by the National Basic Research Program of China (973 Program, No. 2013CB733506) and the key program of Beijing Municipal Natural Science Foundation (No. 2141003). We thank Dr. Chao Fu and Dr. Rahul Anantharaman for meaningful suggestions to this work. We are grateful to the three anonymous reviewers for their constructive comments.

References

- Aaron, D., Tsouris, C., 2005. Separation of CO₂ from flue gas: A review. *Separ Sci Technol* 40, 321-348.
- Abu-Zahra, M.R.M., Schneiders, L.H.J., Niederer, J.P.M., Feron, P.H.M., Versteeg, G.F., 2007. CO₂ capture from power plants. Part I. A parametric study of the technical-performance based on monoethanolamine. *International Journal of Greenhouse Gas Control* 1, 37-46.
- Anantharaman, R., Bolland, O., Booth, N., Dorst, E.v., Fernandes, E.S., al., e., 2010. Test cases and preliminary benchmarking results from the three projects, Trondheim, p. 53.
- Anantharaman, R., Bolland, O., Booth, N., Dorst, E.v., Fernandes, E.S., al., e., 2011. European best practice guidelines for assessment of CO₂ capture technologies.
- Belaissaoui, B., Le Moullec, Y., Willson, D., Favre, E., 2012. Hybrid membrane cryogenic process for post-combustion CO₂ capture. *J Membrane Sci* 415, 424-434.
- Berstad, D., Anantharaman, R., Nekså, P., 2012. Potential for Low-Temperature Concepts in Different CCS Applications. SINTEF Energy Research, Trondheim, Norway.
- Bounaceur, R., Lape, N., Roizard, D., Vallieres, C., Favre, E., 2006. Membrane processes for post-combustion carbon dioxide capture: A parametric study. *Energy* 31, 2556-2570.
- EcoinventCentre, 2010. Ecoinvent Centre. Ecoinvent data v 2.2. - Swiss Centre for Life Cycle Inventories, 2010. www.ecoinvent.ch.
- Favre, E., 2011. Membrane processes and postcombustion carbon dioxide capture: Challenges and prospects. *Chem Eng J* 171, 782-793.
- Figuroa, J.D., Fout, T., Plasynski, S., McIlvried, H., Srivastava, R.D., 2008. Advances in CO₂ capture technology - The US Department of Energy's Carbon Sequestration Program. *Int J Greenh Gas Con* 2, 9-20.

- Gu, L., Zhu, S., Hrymak, A.N., Pelton, R.H., 2001. Kinetics and modeling of free radical polymerization of N-vinylformamide. *Polymer* 42, 3077-3086.
- He, X., Lie, J.A., Sheridan, E., Hägg, M.-B., 2009. CO₂ capture by hollow fibre carbon membranes: Experiments and process simulations. *Energy Procedia* 1, 261-268.
- He, X.Z., Hagg, M.B., 2011. Hollow fiber carbon membranes: Investigations for CO₂ capture. *J Membrane Sci* 378, 1-9.
- He, X.Z., Hagg, M.B., 2013. Hollow fiber carbon membranes: From material to application. *Chem Eng J* 215, 440-448.
- Ho, M.T., Allinson, G.W., Wiley, D.E., 2011. Comparison of MEA capture cost for low CO₂ emissions sources in Australia. *Int J Greenh Gas Con* 5, 49-60.
- Huang, B., Xu, S.S., Gao, S.W., Liu, L.B., Tao, J.Y., Niu, H.W., Cai, M., Cheng, J.A., 2010. Industrial test and techno-economic analysis of CO₂ capture in Huaneng Beijing coal-fired power station. *Applied Energy* 87, 3347-3354.
- Husebye, J., Anantharaman, R., Fleten, S.-E., 2011. Techno-economic assessment of flexible solvent regeneration & storage for base load coal-fired power generation with post combustion CO₂ capture. *Energy Procedia*, 2612-2619.
- Husebye, J., Brunsvold, A.L., Roussanaly, S., Zhang, X., 2012. Techno economic evaluation of amine based CO₂ capture: impact of CO₂ concentration and steam supply *Energy Procedia* in press.
- Hussain, A., Hagg, M.B., 2010. A feasibility study of CO₂ capture from flue gas by a facilitated transport membrane. *J Membrane Sci* 359, 140-148.
- IEA, 2006. *IEA Energy Technology Essentials - CO₂ Capture & Storage*. OECD/IEA.
- Kleijn, R., van der Voet, E., Kramer, G.J., van Oers, L., van der Giesen, C., 2011. Metal requirements of low-carbon power generation. *Energy* 36, 5640-5648.
- Koornneef, J., Ramírez, A., Turkenburg, W., Faaij, A., 2011. The environmental impact and risk assessment of CO₂ capture, transport and storage-an evaluation of the knowledge base using the DPSIR framework. *Energy Procedia* 4, 2293-2300.
- Koornneef, J., Ramirez, A., Turkenburg, W., Faaij, A., 2012. The environmental impact and risk assessment of CO₂ capture, transport and storage - An evaluation of the knowledge base. *Progress in Energy and Combustion Science* 38, 62-86.
- Koornneef, J., van Keulen, T., Faaij, A., Turkenburg, W., 2008. Life cycle assessment of a pulverized coal power plant with post-combustion capture, transport and storage of CO₂. *International Journal of Greenhouse Gas Control* 2, 448-467.
- Korre, A., Nie, Z.G., Durucan, S., 2010. Life cycle modelling of fossil fuel power generation with post-combustion CO₂ capture. *International Journal of Greenhouse Gas Control* 4, 289-300.
- Luis, P., Van Gerven, T., Van der Bruggen, B., 2012. Recent developments in membrane-based technologies for CO₂ capture. *Progress in Energy and Combustion Science* 38, 419-448.
- MacDowell, N., Florin, N., Buchard, A., Hallett, J., Galindo, A., Jackson, G., Adjiman, C.S., Williams, C.K., Shah, N., Fennell, P., 2010. An overview of CO₂ capture technologies. *Energy Environ Sci* 3, 1645-1669.
- Merkel, T.C., Lin, H.Q., Wei, X.T., Baker, R., 2010. Power plant post-combustion carbon dioxide capture: An opportunity for membranes. *J Membrane Sci* 359, 126-139.
- Nie, Z., Korre, A., Durucan, S., 2013. Full Chain Analysis and Comparison of Gas-Fired Power Plants with CO₂ Capture and Storage with Clean Coal Alternatives *Energy Procedia* 37, 2840-2847.
- Pan, C.Y., 1983. Gas Separation by Permeators with High-Flux Asymmetric Membranes. *Aiche J* 29, 545-555.
- Pehnt, M., Henkel, J., 2009. Life cycle assessment of carbon dioxide capture and storage from lignite power plants. *International Journal of Greenhouse Gas Control* 3, 49-66.

Pipitone, G., Bolland, O., 2009. Power generation with CO₂ capture: Technology for CO₂ purification. *International Journal of Greenhouse Gas Control* 3, 528-534.

Portal, T.E.s.E., 2011. European energy prices, The Europe's Energy Portal.

Powell, C.E., Qiao, G.G., 2006. Polymeric CO₂/N₂ gas separation membranes for the capture of carbon dioxide from power plant flue gases. *J Membrane Sci* 279, 1-49.

ReCiPe, 2010. ReCiPe Mid/Endpoint method, version 1.03, December 2010.

Ritter, J.A., Ebner, A.D., 2007. Carbon Dioxide Separation Technology: R and D Need for the Chemical and Petrochemical Industries, A chemical Industry Vision 2020 Initiative to Identify Future R & D Needs.

Sandru, M., Haukebø, S.H., Hägg, M.B., 2010. Composite hollow fiber membranes for CO₂ capture. *J Membrane Sci* 346, 172-186.

Sanpasertparnich, T., Idem, R., Bolea, I., deMontigny, D., Tontiwachwuthikul, P., 2010. Integration of post-combustion capture and storage into a pulverized coal-fired power plant. *International Journal of Greenhouse Gas Control* 4, 499-510.

Schach, M.O., Schneider, R., Schramm, H., Repke, J.U., 2010. Techno-Economic Analysis of Postcombustion Processes for the Capture of Carbon Dioxide from Power Plant Flue Gas. *Ind Eng Chem Res* 49, 2363-2370.

Scholes, C.A., Kentish, S.E., Stevens, G.W., 2008. Carbon Dioxide Separation through Polymeric Membrane Systems for Flue Gas Applications. *Recent Patents on Chemical Engineering* 1, 52-66.

Schreiber, A., Zapp, P., Kuckshinrichs, W., 2009. Environmental assessment of German electricity generation from coal-fired power plants with amine-based carbon capture. *International Journal of Life Cycle Assessment* 14, 547-559.

Singh, B., Stromman, A.H., Hertwich, E., 2011a. Life cycle assessment of natural gas combined cycle power plant with post-combustion carbon capture, transport and storage. *International Journal of Greenhouse Gas Control* 5, 457-466.

Singh, B., Stromman, A.H., Hertwich, E.G., 2011b. Comparative life cycle environmental assessment of CCS technologies. *International Journal of Greenhouse Gas Control* 5, 911-921.

Singh, B., Stromman, A.H., Hertwich, E.G., 2012. Environmental Damage Assessment of Carbon Capture and Storage Application of End-Point Indicators. *Journal of Industrial Ecology* 16, 407-419.

Sipocz, N., Tobiesen, F.A., 2012. Natural gas combined cycle power plants with CO₂ capture - Opportunities to reduce cost. *International Journal of Greenhouse Gas Control* 7, 98-106.

Stern, S.A., 1968. Barrer Permeability Unit. *J Polym Sci A2* 6, 1933-1934.

Uyanga, I.J., Idem, R.O., 2007. Studies of SO₂ and O₂-induced degradation of aqueous MEA during CO₂ capture from power plant flue gas streams. *Ind Eng Chem Res* 46, 2558-2566.

Van Der Sluijs, J.P., Hendriks, C.A., Blok, K., 1992. Feasibility of Polymer Membranes for Carbon-Dioxide Recovery from Flue-Gases. *Energy Convers Manage* 33, 429-436.

Veltman, K., Singh, B., Hertwich, E.G., 2010. Human and Environmental Impact Assessment of Postcombustion CO₂ Capture Focusing on Emissions from Amine-Based Scrubbing Solvents to Air. *Environ Sci Technol* 44, 1496-1502.

Witek, E., Pazdro, M., Bortel, E., 2007. Mechanism for base hydrolysis of poly(N-vinylformamide). *J Macromol Sci A* 44, 503-507.

Zhang, X.P., Gundersen, T., Roussanaly, S., Brunsvold, A.L., Zhang, S., 2012a. Carbon chain analysis on a coal IGCC — CCS system with flexible multi-products. *Fuel Processing Technology* 108, 146-153.

Zhang, X.P., He, X.Z., Gundersen, T., 2013. Post-combustion Carbon Capture with a Gas Separation Membrane: Parametric Study, Capture Cost, and Exergy Analysis. *Energy & Fuels* 27, 4137-4149.

Zhang, X.P., Zhang, X.C., Dong, H.F., Zhao, Z.J., Zhang, S.J., Huang, Y., 2012b. Carbon capture with ionic liquids: overview and progress. *Energy Environ Sci* 5, 6668-6681.

- Zhao, L., Riensche, E., Blum, L., Stolten, D., 2010. Multi-stage gas separation membrane processes used in post-combustion capture: Energetic and economic analyses. *J Membrane Sci* 359, 160-172.
- Zhao, L., Riensche, E., Menzer, R., Blum, L., Stolten, D., 2008. A parametric study of CO₂/N₂ gas separation membrane processes for post-combustion capture. *J Membrane Sci* 325, 284-294.